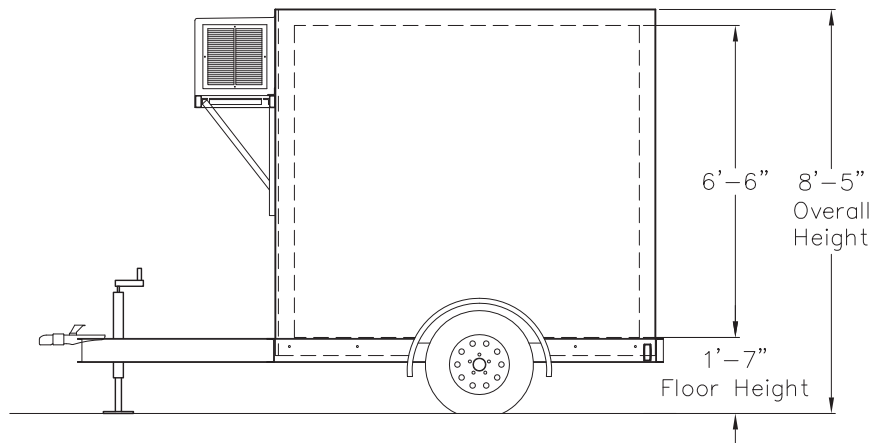
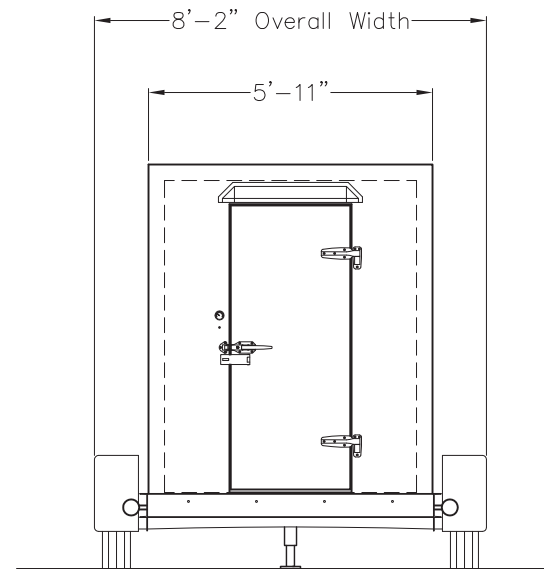


INSIDE DIMENSIONS:
 5'-3" WIDE
 7'-3" LONG
 6'-6" HIGH



Stewart's Mobile Concepts

6' x 8' Walk-in Cooler or Freezer Trailer

DRAWN BY: RDA	MODEL NO.: H68T	SCALE: 1/4" = 1'-0"	DATE: 12-30-10
------------------	--------------------	------------------------	-------------------

**Mobile Kitchen Rentals and
 Support Services from Coast to Coast**

Phone (800) 919-9261 | Fax (631) 351-1587
www.stewartsmobile.com