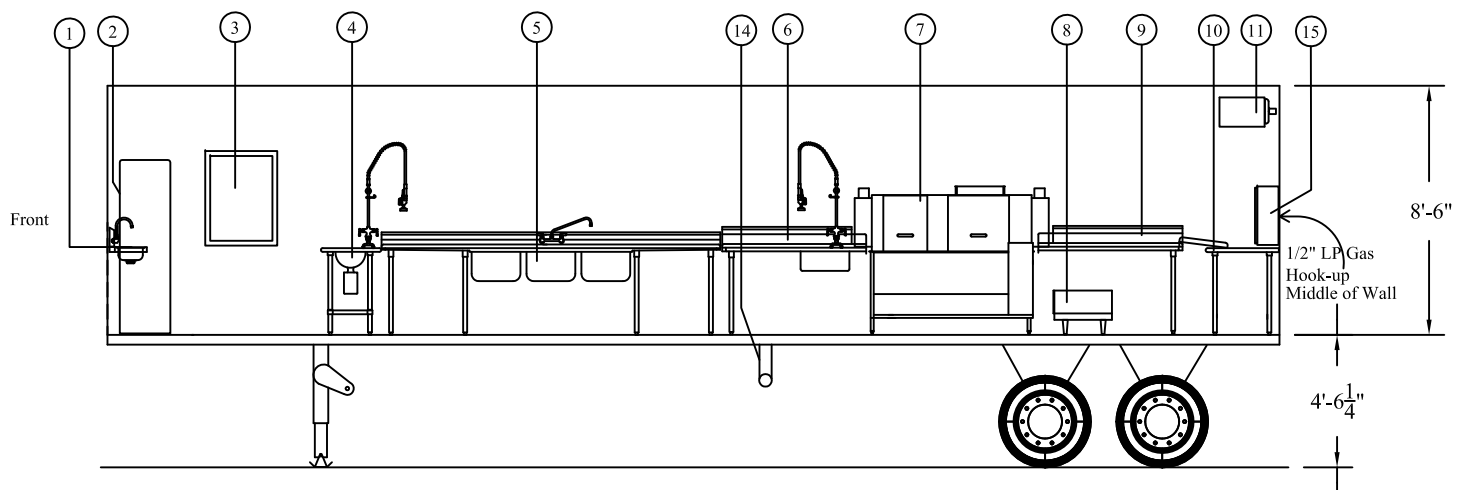


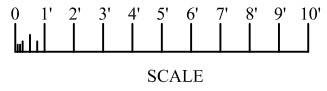
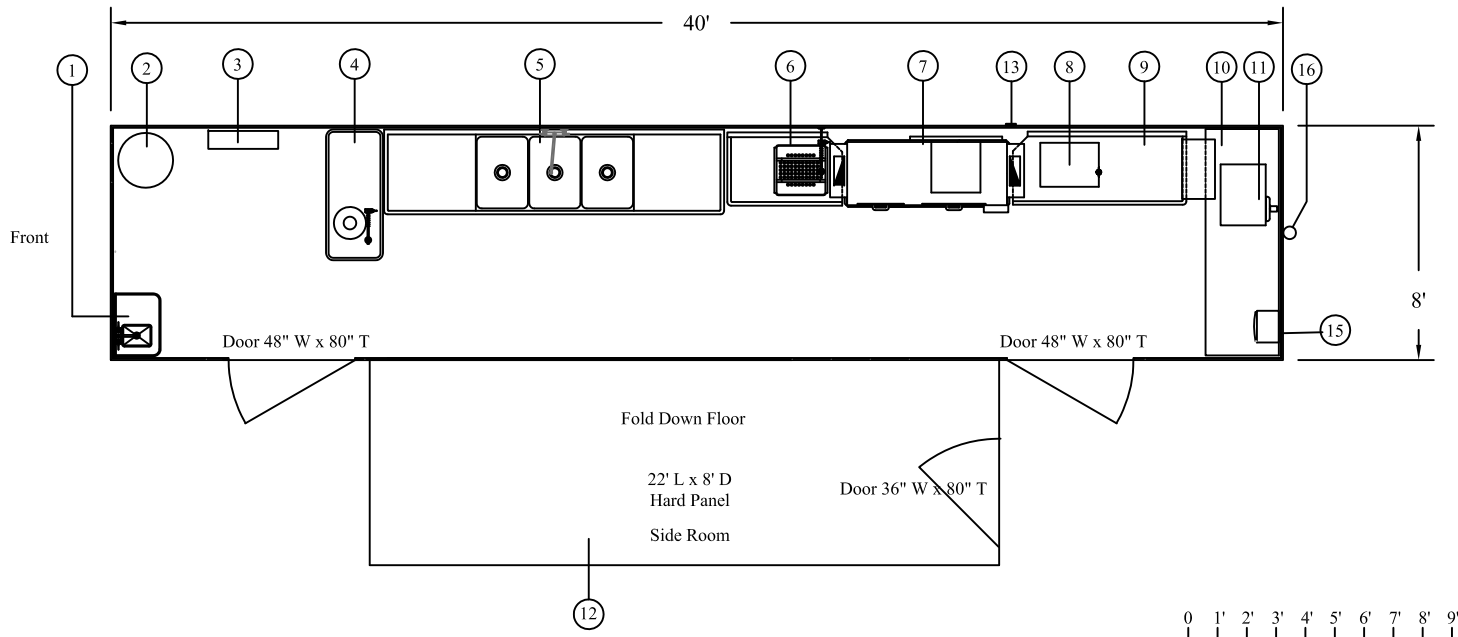
Note: This drawing shows the typical layout and listing of equipment in this unit. Please verify the current layout and equipment specifications with your Stewart's Mobile Concepts Representative.



Equipment List

1. Hand Sink W/ 24" x 24" Floor Sink Below
2. 120 Gallon Hot Water Heater
3. Electrical Panel 208v/ 250a/ 3 phase
4. Rinse Station W/ Waste Disposal
5. Power Wash 3 Compartment Sink
6. Dirty Table W/ Rinse Station
7. 66" Single Tank Conveyor Dishwasher W/ Recirculating Prewash
8. Compact Electric Booster Water Heater (Under Table)
9. Clean Table
10. Stainless Steel Table
11. Overhead Room Convection Heater
12. Hard Panel Enclosed Side Room
13. 3/4" Water Connection
14. 3" Waste Water Connection (not shown on top view)
15. 199,900 Btu LP Gas Tankless Water Heater
16. LP Gas Hook-up (1/2" NPT) [not shown on side view]

(Not Shown Electrical Connection Outside Trailer At Panel Location)



B	7/15/20	RC			Nomenclature Change
A	6/30/20	RC			Equipment Change
REV	DATE	BY	CK	EDN #	DESCRIPTION
STEWART'S MOBILE CONCEPTS, LTD. 845 EAST JERICHO TURNPIKE Huntington Station, New York 11748					
TITLE: D-408 Overhead & Side View, Elevations					
MODEL: Dish Washer Trailer					
PATH: D:\MobileKitchens\D408				PART NO.:	
SCALE: NTS	PLOTSCALE: 1		DATE: 2/27/09	DRAWING NO.:	
DRAWN BY: RDC			LAST UPDATED: 07/15/2020		D 408

THIS PRINT IS THE PROPERTY OF STEWART'S MOBILE CONCEPTS, LTD AND REPRESENTS A PROPRIETARY ARTICLE IN WHICH STEWART'S MOBILE CONCEPTS, LTD, RETAINS ANY AND ALL PATENT AND OTHER RIGHTS, INCLUDING EXCLUSIVE RIGHTS OF USE AND/OR MANUFACTURE, AND/OR SALE. POSSESSION OF THIS PRINT DOES NOT CONVEY ANY PERMISSION TO REPRODUCE PRINT OR MANUFACTURE ARTICLE(S) SHOWN HEREIN, SUCH PERMISSION TO BE GRANTED ONLY BY SPECIFIC AUTHORIZATION IN WRITING, SIGNED BY AN OFFICER OR OTHER AUTHORIZED AGENT OF STEWART'S MOBILE CONCEPTS, LTD, THEREOF. SPECIFICATION CANNOT BE CHANGED WITHOUT WRITTEN APPROVAL OF STEWART'S MOBILE CONCEPTS, LTD.